

PRH8R23



FEATURES 特点

- * Excellent solderability and high heat resistance
良好的可焊性和高耐热性

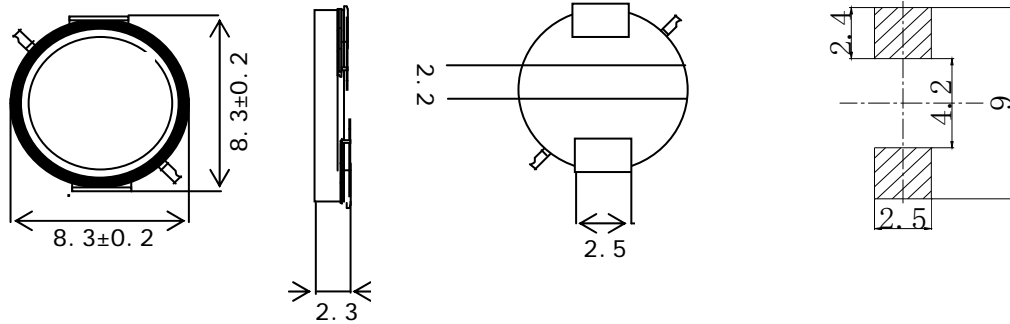
APPLICATION 用途

- * DC / DC 转换器

MEASURING FREQUENCY 测试频率

- * 100KHz 0.3V

Shapes And Dimensions 外形及尺寸示意图



Electrical Characteristics 电气性能

Type 型号	Indicate 表示	Inductance 电感值	D.C.R(Max) 直流电阻(m)	Rated Current(Max) 额定电流(A)
PRH8R23- 3R3	3R3	3.3	72.9m	4.8
PRH8R23- 4R7	4R7	4.7	70m	4.3
PRH8R23- 6R8	6R8	6.8	90m	3.5
PRH8R23- 100	100	10	125m	3.2
PRH8R23- 150	150	15	213m	2.4
PRH8R23- 180	180	18	242m	2.4
PRH8R23- 220	220	22	271m	2.0

* SPQ:1000PCS/REEL